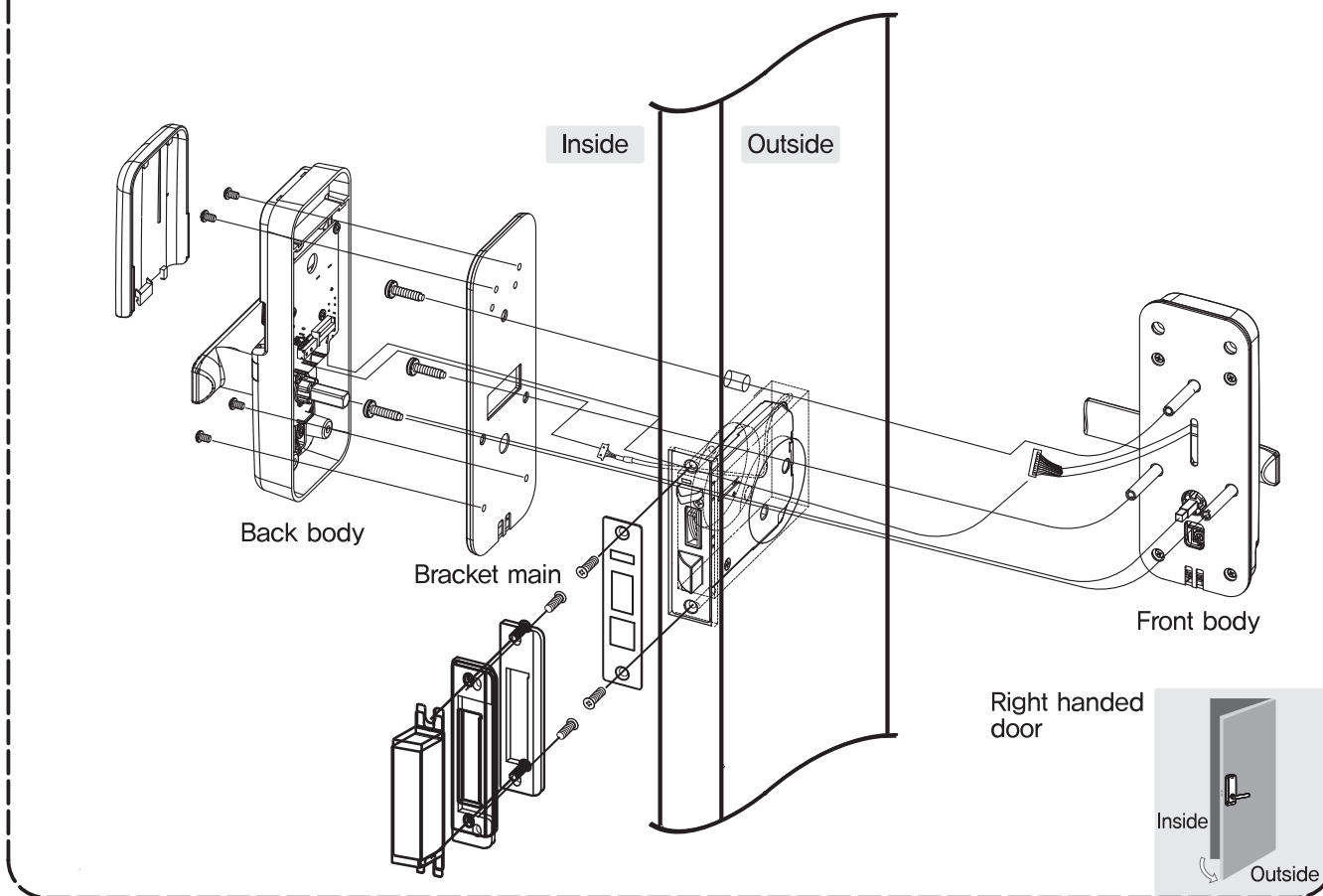


Installation view

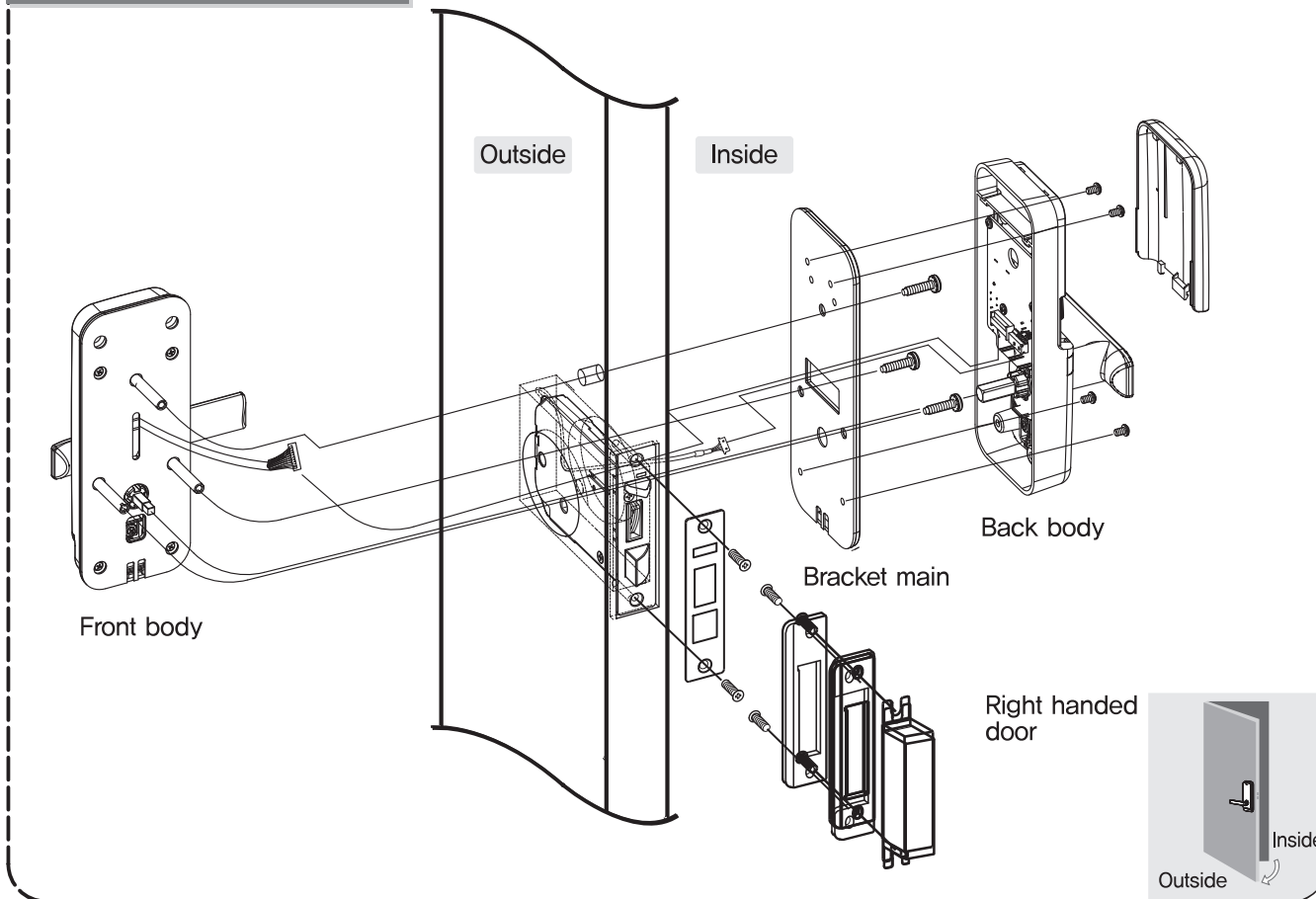
※ Factory default : Right handed door

Right handed door



Caution
 (A) and (B) shaded parts indicate the hole for mortise installation. If necessary, door modification is required accordingly.

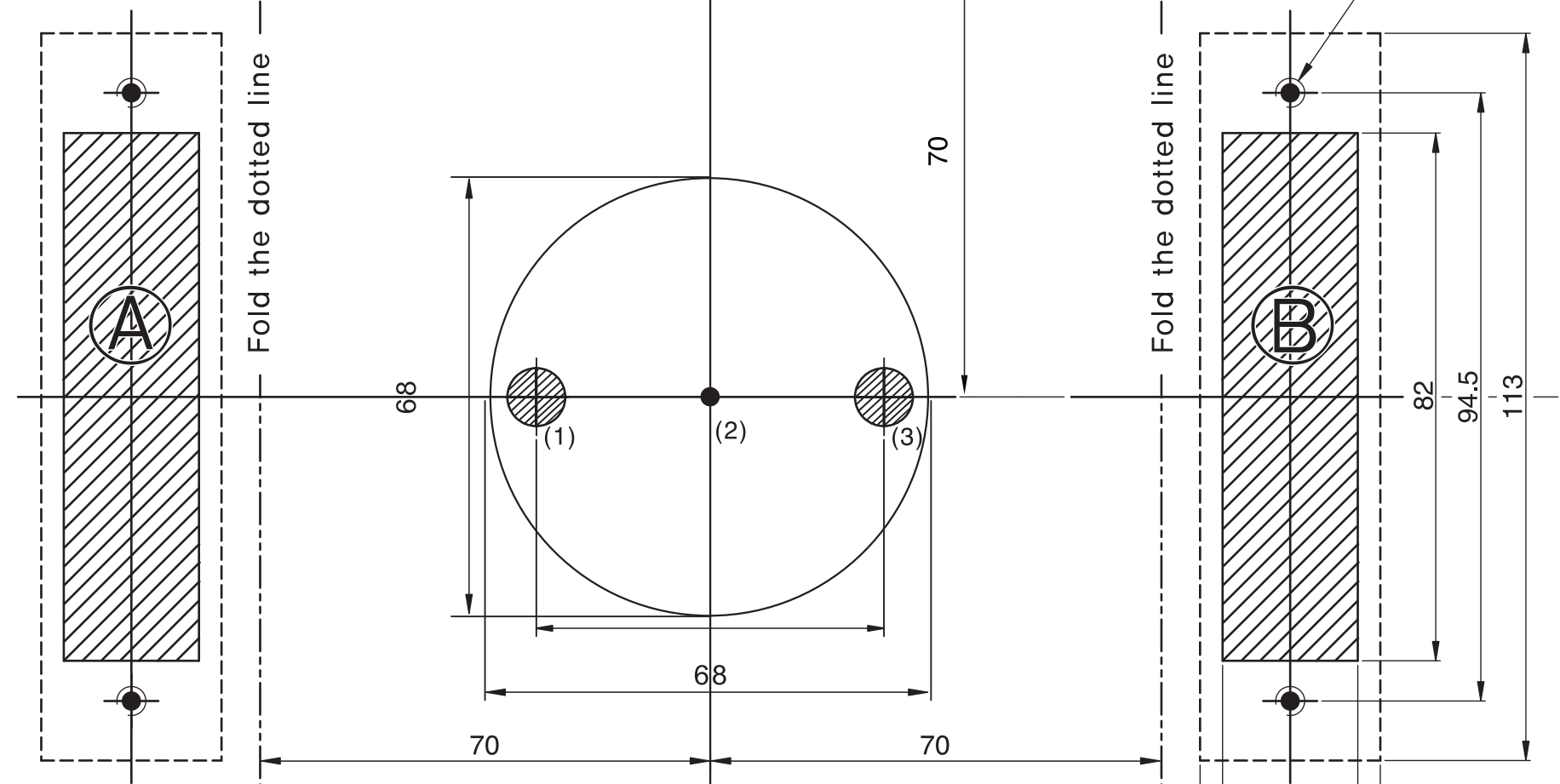
Left handed door



Installation Guide

Caution
 Distance between a striker and a back body : $5\text{mm} \pm 1.5\text{mm}$
 Auto locking function might not work when the distance is out of the recommended distance.

※ Both holes of inside and outside are same.



Caution
 Depending on your door, some modification might be required.