

# Euro Profile Cylinders



## Handles & locks for sliding doors

CaviLock now offers an extensive range of high quality **Euro Profile Cylinders** that are available in keyed alike or keyed to differ configurations. The combinations in stock cover 3, 5 & 6 pin options with Key/Key, Key/Turn and Turn/Emergency as well as single cylinder options with Key only or Turn only. The 3 pin cylinders are ideal for flush handle situations because of their 42mm finished width.

All cylinders are constructed from extruded brass with stainless steel springs and in the 5 and 6 pin options, come as standard with grub screws at the base of the cylinder enabling easy re-pinning. Available in true Satin Chrome finish as well as Brass.

## Configuration Options



↑ A Euro Profile Key/Turn in SCP.



Keyway Face

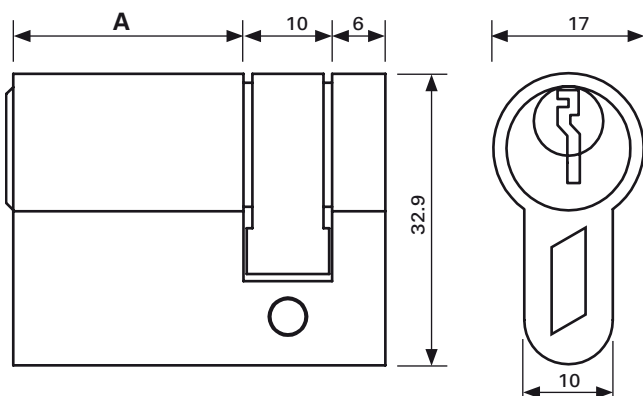
Emergency Face



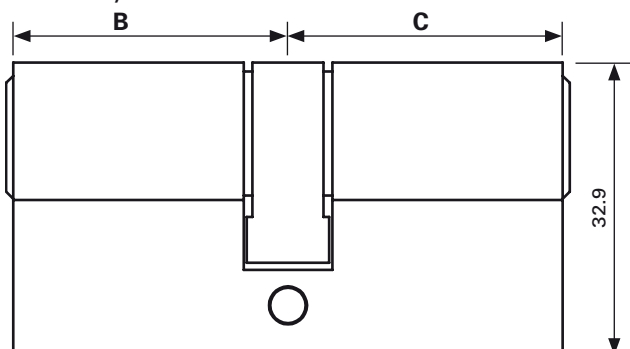
↑ Base of cylinder showing access to pins by grub screw.

## Dimensions

### Single Cylinder



### Double Cylinder



## Technical Information

Cylinder Type	Pin Options	Key Options	Colours
1 Key / Key	3 5 6	KA or KD	SCP / Brass
2 Key / Turn	3 5 6	KA or KD	SCP / Brass
3 Emerg / Turn	3 5 6	-N/A-	SCP / Brass
4 Key Only	3 5 6	KA or KD	SCP / Brass
5 Turn Only	3 5 6	-N/A-	SCP / Brass

### Cylinder Dimensions

Single	(A + 16)	Double	(B + C)
3 pin	16 + 16 = 32	3 pin	21 + 21 = 42
5 pin	26 + 16 = 42	5 pin	31 + 31 = 62
6 pin	35 + 16 = 51	6 pin	35 + 35 = 70

## How to Specify

**E CL100** EuroCylinder + Cylinder Type + **Number of Pins** + **KA** (Keyed Alike) or **KD** (Keyed to Differ) + **Colour**  
 E.g. CaviLock CL100 EuroCylinder, Key / Turn with 5 pins, KA, in SCP.

Drawings & pictures are not to scale. All dimensions in millimetres. Colours shown may not accurately represent product.

info@csfordoors.co.nz  
www.csfordoors.co.nz

**Bay of Plenty / Waikato**  
 T 07 928 0800  
 F 07 928 2525

**Christchurch**  
 T 03 348 6158  
 F 03 348 6150

**Wellington**  
 T 04 473 9994  
 F 04 473 9995

Another quality product from:



**Auckland Head Office**  
 T 09 276 0800  
 F 09 276 2525

All copyright and other property in this document is reserved by Cavity Sliders Limited. Details and specifications are subject to change without notice. Whilst all care is taken to ensure the accuracy of all information, no responsibility will be accepted for any errors or omissions. Euro Profile Cylinders are trademarked CS FOR DOORS products - first promoted in 2003 © Cavity Sliders Limited 05:2011 - 60010 Euro Profile