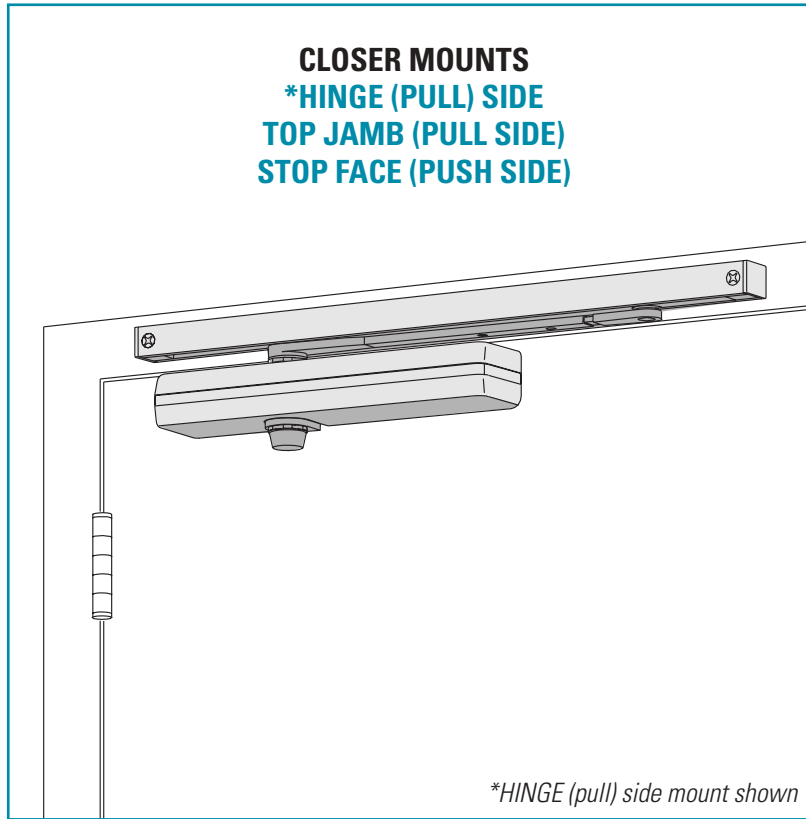


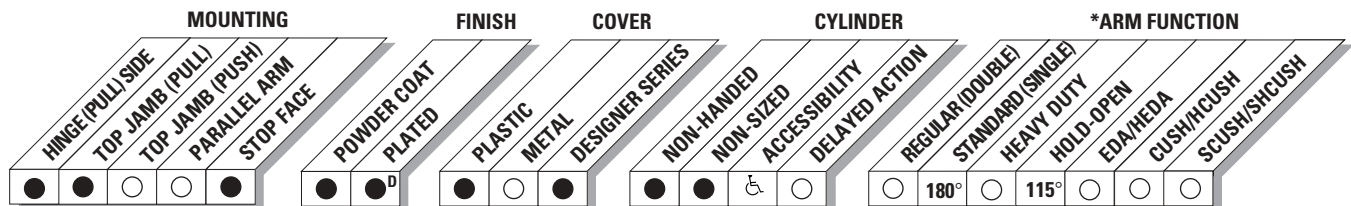
LCN 1460T SERIES



The 1460T is a fully universal slim line, single lever (track) arm closer designed for interior use on narrow headframes and top rails. The modern styling and small projection make it an excellent choice for interior doors.

The 1460T Series is UL and ULC listed for self-closing doors without hold-open. Tested and certified under ANSI Standard A156.4, grade one.

- ▶ Standard 1460T series closer shipped with a standard arm, a slim line plastic cover, a standard track, a track roller, and self reaming and tapping screws. See 1460T Series page 27 & 28 for options.
- ▶ Multiple cover options include; Standard (Slim line), Smooth Slim line (EC), Full and Designer Series.
- ▶ Non-sized (2-4) cylinders adjustable for interior doors to 4'0".
- ▶ Non-handed closer mounts hinge side, top jamb (pull side), and stop face on either right or left swinging doors.
- ▶ 1461T meets ADA requirements. See 1460T Series page 29.
- ▶ Standard or optional custom powder coat finish.
- ▶ Optional plated finish on Designer Series metal cover, arm and fasteners.
- ▶ Optional SRI primer for installations in corrosive conditions.



● Available
○ Not available

♿ Closer available with less than 5.0 lbs. opening force on 36" door.
* Maximum opening/hold-open point with standard template. Hinge side mount.
D = For Designer series only.

LCN 1460T SERIES

MOUNTING DETAILS

HINGE (PULL) SIDE MOUNTING

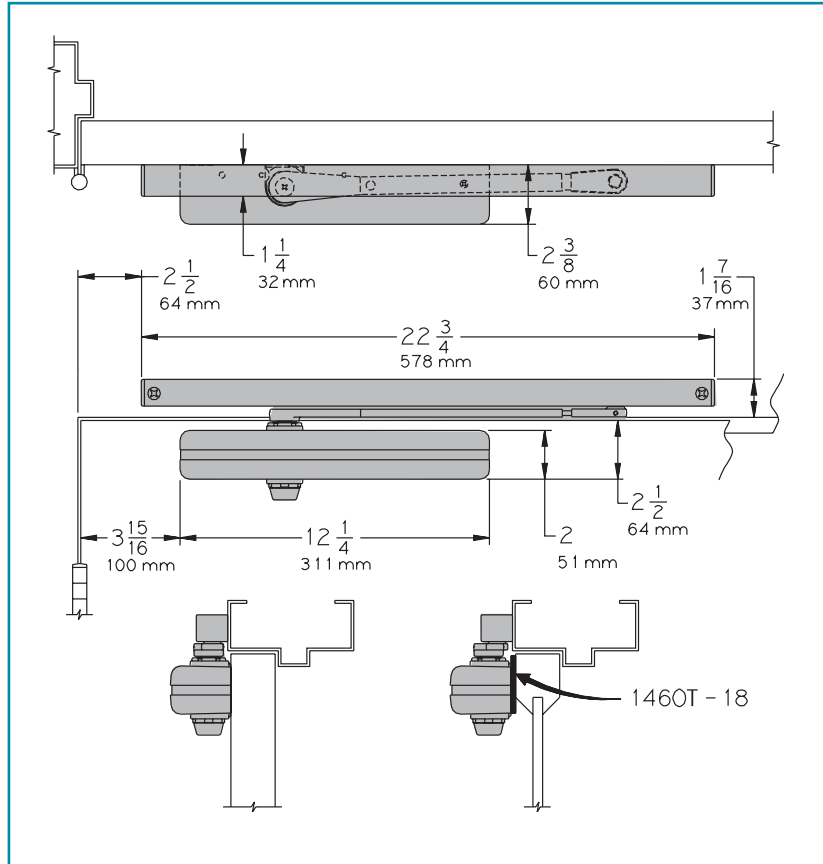
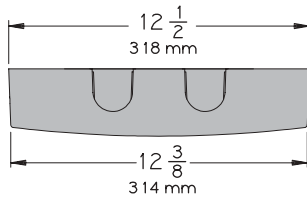
MAXIMUM OPENING

Templating allows up to 180°, trim and frame permitting, limited to 115° when optional bumper is installed.

Consult factory if door will be held open at 180°

Hold-open points at 85°, 90°, 95°, 100°, 110° or 115° with hold-open tracks.

Optional, Non-handed Designer Series Metal Cover



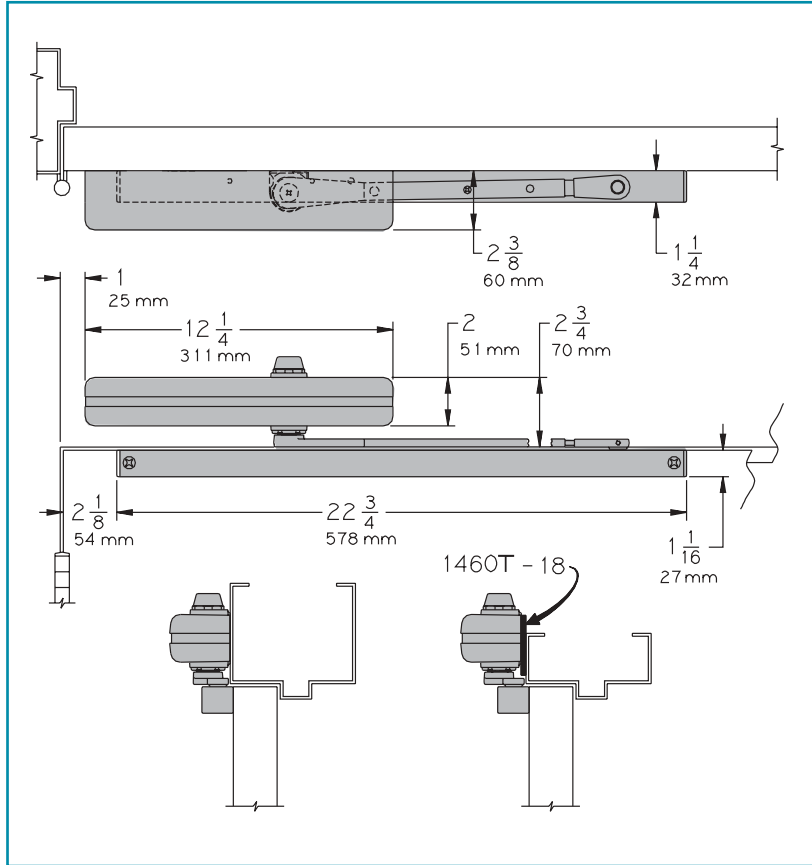
- ▶ **Butt Hinges** should not exceed 5" (127 mm) in width.
- ▶ **Auxiliary Stop** is recommended where a door cannot swing 180°. Optional track bumper assembly assists backcheck in cushioning the opening swing of the door. It is not intended to replace an auxiliary stop.
- ▶ **Reveal** should not exceed 1/8" (3 mm).
- ▶ **Top Rail** less than 2 1/2" (64 mm) requires PLATE, 1460T-18. Plate requires 1 1/2" (38 mm) minimum. With Full cover, use PLATE, 1460T-18FC. With Designer Series metal cover, use PLATE, 1460T-18DS1.
- ▶ **Clearance** of 2 3/8" (60 mm) behind door required for installation.

Options

- ▶ Regular track with bumper.
- ▶ Hold-open track.
- ▶ Hold-open track with bumper.
- ▶ Full cover. (FC)
- ▶ Smooth Slim line cover. (EC)
- ▶ Designer Series metal cover. (DS1)

Special Templates

Customized installation templates or products may be available to solve unusual applications. Contact LCN for assistance.



TOP JAMB (PULL SIDE) MOUNTING

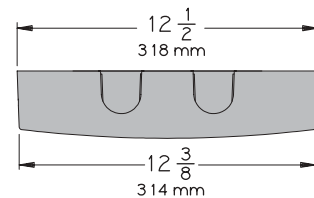
MAXIMUM OPENING

Templating allows up to 180°, limited to 115° when optional bumper is installed.

Consult factory if door will be held open at 180°

Hold-open points at 85°, 90°, 95°, 100°, 110° or 115° with hold-open tracks.

Optional, Non-handed Designer Series Metal Cover



- ▶ **Butt Hinges** should not exceed 5" (127 mm) in width.
- ▶ **Auxiliary Stop** is recommended where a door cannot swing 180°. Track bumper assembly assists backcheck in cushioning the opening swing of the door. It is not intended to replace an auxiliary stop.
- ▶ **Head Frame** less than 2 3/4" (70 mm) requires PLATE, 1460T-18. Plate requires 1 3/4" (44 mm) minimum. With full cover, use PLATE, 1460T-18FC. With Designer Series metal cover, use PLATE, 1460T-18DS1.
- ▶ **Reveal** (hinge side) should not exceed 1/8" (3 mm).
- ▶ **Top Rail** minimum 1 1/4" (32 mm).
- ▶ **Clearance** 1 1/4" (32 mm) behind door for installations.

Options

- ▶ Regular track with bumper.
- ▶ Hold-open track.
- ▶ Hold-open track with bumper.
- ▶ Full cover. (FC)
- ▶ Smooth Slim line cover. (EC)
- ▶ Designer Series metal cover. (DS1)

Special Templates

Customized installation templates or products may be available to solve unusual applications. Contact LCN for assistance.

LCN 1460T SERIES

MOUNTING DETAILS

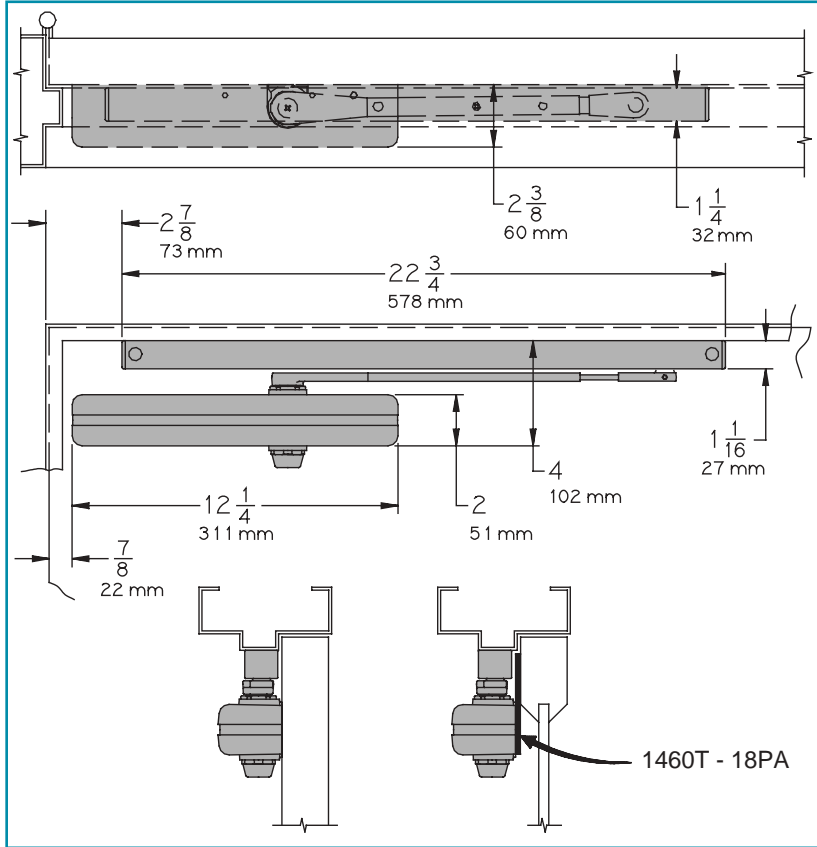
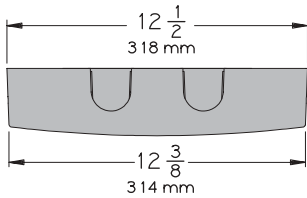
STOP FACE (PUSH SIDE) MOUNTING

MAXIMUM OPENING

Templating allows 110°, limited to 100° when optional bumper is installed.

Hold-open points at 85°, 90°, 95°, or 100° with hold-open tracks.

Optional, Non-handed Designer Series Metal Cover



- ▶ **Butt Hinges** should not exceed 5" (127 mm) in width.
- ▶ **Auxiliary Stop** is recommended where a door cannot swing 110°. Track bumper assembly assists backcheck in cushioning the opening swing of the door. It is not intended to replace an auxiliary stop.
- ▶ **Clearance** 1460T projects 2 3/8" (60 mm) from door face.
- ▶ **Top Rail** less than 4" (102 mm) measured from the stop face requires PLATE, 1460T-18PA. Plate requires 1 1/2" (38 mm) minimum. With Full cover, use PLATE, 1460T-18PAFC. With Designer Series metal cover, use PLATE, 1460T-18PADS1.
- ▶ **Stop Width** minimum 1 1/4" (32 mm).

Options

- ▶ Regular track with bumper.
- ▶ Hold-open track.
- ▶ Hold-open track with bumper.
- ▶ Full cover. (FC)
- ▶ Smooth Slim line cover. (EC)
- ▶ Designer Series metal cover. (DS1)

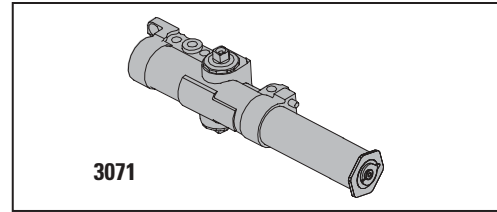
Special Templates

Customized installation templates or products may be available to solve unusual applications. Contact LCN for assistance.

CYLINDERS

CYLINDER, 1460T-3071

Standard, non-handed cast iron cylinder assembly. For various applications see "Table of Sizes" on 1460T Series page 29.



COVERS

COVER, 1460T-72

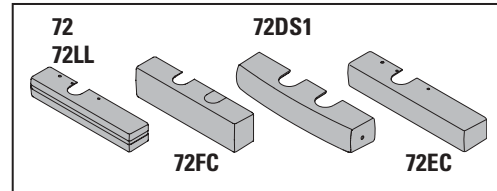
Standard, non-handed, slim line plastic cover with feature strip.

LEAD LINED COVER, 1460T-72LL

Optional non-handed cover.

FULL COVER, 1460T-72FC

Optional, non-handed, plastic cover provides complete enclosure.

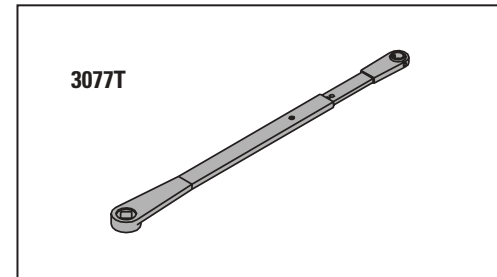


DESIGNER METAL COVER, 1460T-72DS1

Optional, non-handed designer series metal full cover provides complete enclosure with a stylish look. Required for plating option and custom powder coat finishes.

COVER, 1460T-72EC

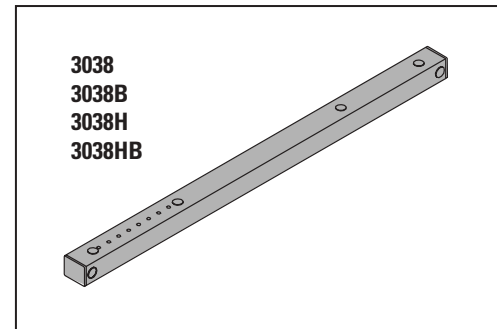
Optional, non-handed Smooth Slim line plastic cover.



ARM

STANDARD ARM, 1460T-3077T

Non-handed single lever arm mounts hinge side, top jamb, or stop face.
Track roller not included with arm.



TRACKS

STANDARD TRACK, 1460T-3038

Standard, non hold-open, non-handed track mounts on either side of the door.
Will accept hold-open clip and/or bumper assembly.

STANDARD TRACK with BUMPER, 1460T-3038B

Optional, non hold-open, non-handed track with bumper mounts on either side of the door.
Will accept hold-open clip.

HOLD-OPEN TRACK, 1460T-3038H

Optional, non-handed hold-open track mounts on either side of the door.
Will accept bumper assembly.

HOLD-OPEN TRACK with BUMPER, 1460T-3038HB

Optional, non-handed hold-open track with bumper mounts on either side of the door.

LCN 1460T SERIES

INSTALLATION ACCESSORIES

PLATE, 1460T-18,1460T-18DS1,1460T-18FC

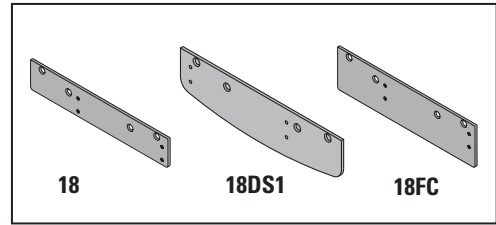
Required for hinge side mount where top rail is less than 2 1/2" (64 mm).

Required for top jamb mount when head frame is less than 2 3/4" (70 mm).

Plate requires minimum 1 1/2" (38 mm) top rail or 1 3/4" (44 mm) head frame minimum.

With Full cover, use PLATE, 1460T-18FC.

With Designer Series metal cover, use PLATE, 1460T-18DS1.



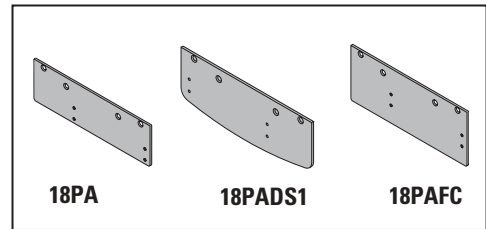
PLATE, 1460T-18PA,1460T-18PADS1,1460T-18PAFC

Required for stop face mounting where top rail is less than 4" (102 mm), measured from the stop.

Plate requires 1 1/2" (38 mm) minimum top rail.

With Full cover, use PLATE, 1460T-18PAFC.

With Designer Series metal cover, use PLATE, 1460T-18PADS1.

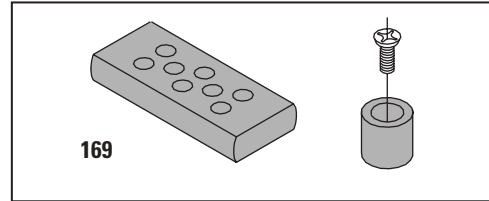


TRACK BUMPER, 1460T-169

Mounts in track to assist backcheck, does not replace auxiliary stop.

Limits maximum opening.

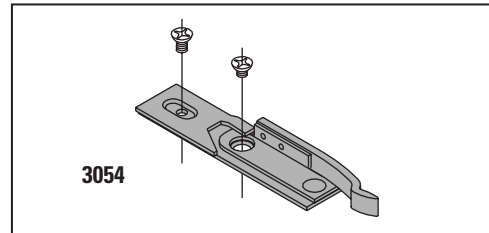
Consists of bumper, bumper post, and mounting screw.



HOLD-OPEN CLIP, 1460T-3054

Mounts in track to provide hold-open function.

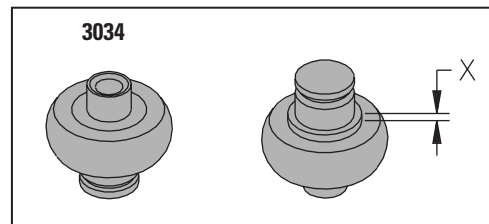
Hold-open point controlled by clip location.



TRACK ROLLER, 1460T-3034

Quiet, low friction roller assembly.

Shoulder dimension "X" = 1/8" (3 mm).

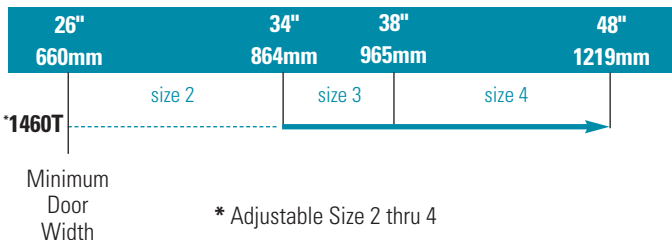


LCN 1460T SERIES

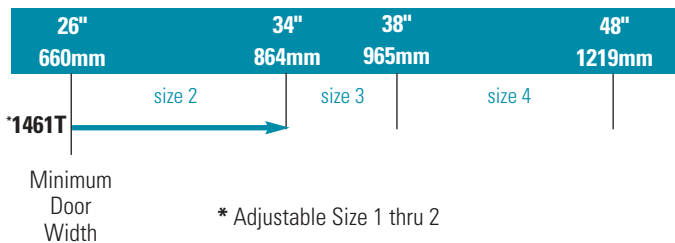
TABLE OF SIZES Select closer based on width of door. The spring power of a 1460T cylinder is adjustable from size 2 to size 4 and is shipped adjusted to size 3. The closing power of 1460T series cylinders may be increased 50%. The spring power of a 1461T cylinder is adjustable from size 1 to size 2 and is shipped adjusted to size 1.

→ Indicates recommended range of door width for closer size.

INTERIOR DOOR WIDTH




INTERIOR DOOR WIDTH



REDUCED OPENING FORCE 1460T CLOSERS

CAUTION ! Any manual door closer, including those certified by BHMA to conform to ANSI Standard A156.4, that is selected, installed and adjusted based on ADA or other reduced opening force requirements may not provide sufficient power to reliably close and latch a door.

Refer to POWER OPERATORS section for information on systems that meet reduced opening force requirements without affecting closing power.

	DOOR WIDTH	36"	42"	48"
	8.5* lbs.	N/A	N/A	N/A
	5.0* lbs.	1461T	1461T	1461T

* Maximum opening force

HOW-TO-ORDER 1460T SERIES CLOSERS

1. SELECT CYLINDER SIZE

- 1461T (ADA)
- 1460T (adjustable from size 2 to 4)

2. SPECIFY FINISH

- Standard Powder Coat _____
Aluminum, Dark Bronze, Tan, Statuary, Light Bronze, Black, Brass.

Closer will be shipped with:

- STANDARD COVER.
- STANDARD ARM,
- STANDARD TRACK,
- TRACK ROLLER
- SELF-REAMING and TAPPING SCREWS unless options listed below are selected.

CLOSER OPTIONS

COVER

- Lead Lined (LL)
- Full cover (FC)
- Smooth Slim Line (EC)
- Designer Series metal full cover (non-handed) (DS1)

FINISH

- Custom Powder Coat (RAL) _____
(non-handed designer series metal cover required)
- Plated Finish, US _____
(non-handed designer series metal cover required)
- SRI primer

TRACK

- Standard with Bumper (BUMPER)
- Hold-Open (H)
- Hold-Open with Bumper (HBUMPER)

SCREW PACK

- TB* w/Self-Reaming and Tapping Screws (TBSRT)
- Wood & Machine Screw (WMS)
- TB*, Wood & Machine Screw (TBWMS)
- TORX Machine Screw (TORX)
- TB* & TORX Machine Screw (TBTRX)
* Specify door thickness if other than 1 3/4".

SPECIAL TEMPLATE

- ST- _____

INSTALLATION ACCESSORIES

- Plate, 1460T-18
- Plate, 1460T-18DS1
- Plate, 1460T-18FC
- Plate, 1460T-18PA
- Plate, 1460T-18PADS1
- Plate, 1460T-18PAFC