



HEIRLOOM
BATHROOMS WITH STYLE



METIVO ESP LADDER TOWEL WARMER

For Warm Fluffy Towels

Operation

Your METIVO ESP Towel Warmer uses only minimal electrical power - about the same as an average light bulb. It will take approximately 20-30 minutes to reach maximum operating temperature. For best results, only three - four generous sized towels should be heated at one time. The heat of this unit may increase significantly if overloaded with an excessive number of towels. METIVO ESP Towel warmers are designed for continuous operation. NOTE: The temperature of your towel warmer will vary with the ambient temperature of your room. A towel warmer is designed to warm and assist the drying of towels and will normally operate at a temperature that is too hot for the warmer to be grasped for an extended time. Refer to the separate instruction brochure for operation instructions for the ESP feature

Locating Instructions

Detailed installation instructions are provided on the reverse side. The METIVO ESP Ladder Towel Warmer should be fixed through the wall cladding directly to studs or other suitable anchor material. The towel warmer should be located in compliance with the AS/NZS 60335 Standard and should not in any circumstances be located in the direct path of a water source (tap or shower etc). METIVO ESP towel warmers have an IP45 rating offering you the greatest flexibility to safely locate the towel warmer in bathrooms or shower rooms.

Electrical Installation

Please ensure your towel warmer is installed by a registered electrician and ensure the electrical supply, plug & switch location, and product location will comply with your local regulations. New Zealand electrical wiring requirements stipulate that this appliance must be wired by a registered electrician in accordance with current electrical wiring regulations. This appliance must be fitted with an air gap phase isolation switch. For complete temperature control a wall mounted dimmer switch (with "off" position) is recommended. METIVO ESP towel warmers have an IP45 rating offering you the greatest flexibility to safely locate the towel warmer in bathrooms or shower rooms in **Zone 1-3**. All other electrical fittings must also be compliant with the zone within which the warmer is being installed.

Concealed Wiring Kit

A concealed wiring adapter kit is also available for this product. If you have access to the wall cavity the kit allows you to conceal the electrical flex for a more streamlined and visually appealing installation.

Care and Cleaning

All components are made from high quality materials. The polished finish of your Towel Warmer is hard wearing and easily maintained. Clean regularly with a soft cloth and non-abrasive cleaning agent.

Guarantee

The towel frame is guaranteed against defects due to faulty workmanship or materials for 5 years from date of purchase and the ESP controller has a warranty of 12 Months. In the event of a defect in the product, it should be returned with the sales receipt to the retailer from whom it was purchased. Under the guarantee the defective article will be repaired or replaced at Heirloom's option – free of charge. Costs of disconnection, reconnection, and freight are the responsibility of the owner, as is any damage arising in transit to and from servicing.

This guarantee does not cover:

- a. Any damage to the product caused by misuse, neglect, accident, or in violation of the manufacturer's instructions, or
- b. Any damage, loss or injury arising as a consequence of the use of the product.

Contact Us

We welcome your feedback on our products. You can view our full range of towel warmers on our website and send us your comments about this product to info@heirloom.co.nz. Heirloom International Limited, P O Box 204 235, Manukau 2161, New Zealand. www.heirloom.co.nz

INSTALLATION OF METIVO ESP LADDER TOWEL WARMER

SPECIFICATIONS	Mounting Centre (Width)*	Rating at 240 Volts AC	Voltage	IP Rating
Model WM1185	570mm	111 Watts	230-240VAC	IP45
Model WM825	570mm	107 Watts	230-240VAC	IP45
Model WM485E	821mm	77 Watts	230-240VAC	IP45
Model WM485	526mm	53 Watts	230-240VAC	IP45
Model WM1185S Slimline	420mm	100 Watts	230-240VAC	IP45
Model WM825S Slimline	420mm	84 Watts	230-240VAC	IP45
Model WM850 (NZ Only)	581mm	84 Watts	230-240VAC	IP45

This Package Contains:

- | | |
|---|--|
| 1 Ladder Towel Warmer and flex (with 2 pin plug Australian models only) | 1 Plastic Mounting Barrel WITH SEALS |
| 4 No 6 x 1/4" Pozi Drive Self Tapping Screws | 3 Plastic Mounting Barrels WITHOUT SEALS |
| 4 No 8 x 1 1/4" Hinge Screw | |

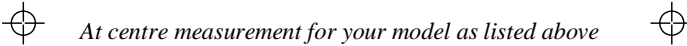
CAUTION: Prior to installation please ensure the product is to your satisfaction. Once installed Heirloom cannot be responsible for defects in the product finish. This product is not intended for use by young children or infirmed persons without supervision. Young children should be supervised to ensure they do not play with the product. To minimize a hazard for young children, this appliance should be installed so that the bottom rail is 600mm above the floor. To avoid hazard, the power supply cord must only be replaced or repaired by a qualified person.

Installation:

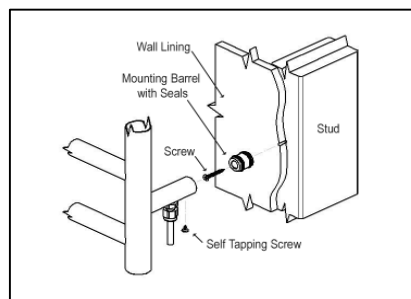
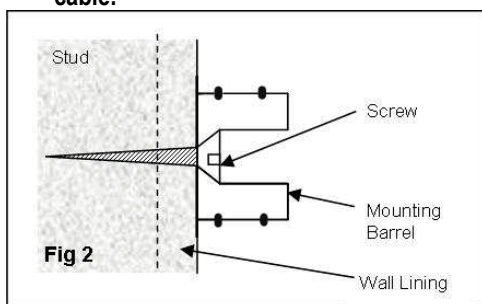
This towel warmer must be installed by a registered electrician and in accordance with local and national electrical codes. We recommend that the towel warmer be installed vertically on a flat and uniform wall, and where possible into studs or other suitable anchor material. If fixing to hollow cavity walls, Toggle Anchors or similar devices must be used.

Position the towel warmer so that the plug and mains power receptacle are easily accessible, with the cable entry to the towel warmer NEAREST THE FLOOR. Avoid the supply cable coming into contact with the heated parts of the towel warmer. DO NOT PLUG THE UNIT INTO THE POWER SUPPLY BEFORE INSTALLATION IS COMPLETE.

- 1 Mark two points the centre distance for your model as listed above, for the top two ends of the towel warmer. Ensure these marks are level. **Check the measurement against the actual towel warmer to allow for normal manufacturing tolerance.**

- 2 **Fig 1**  At centre measurement for your model as listed above

- 3 Position mounting barrels and screw the Mounting Barrel to the wall at the marked points, as per Fig 2 using No 8 x 1 1/4 Hinge Screws. **To obtain the IP45 rating, the Plastic Barrel WITH Seals must be used on the foot with the electrical cable.**



- 4 The towel warmer frame is open at the four tube ends, to fit over the Plastic Mounting Barrels. Place the two top ends of the frame over the two Plastic Mounting Barrels already screwed to the wall. Mark around the two bottom ends of the towel warmer using a light pencil so marks can be removed, then remove the towel warmer.
- 5 Mark the centre position of the two bottom ends as per Fig 1 above and fix the two bottom mounting barrels to the wall per Fig 2 above.
- 6 Remount the towel warmer onto the four mounting barrels. The Towel Warmer Frame has a hole in each of the 4 ends that go over the mounting barrels. Four self tapping screws are provided to screw through these holes into the mounting barrels. First, through the predrilled holes in the frame, drill a pilot hole into each of the four mounting barrels using a 2.5mm drill. Then secure the towel warmer with the four self tapping screws. **DO NOT OVERTIGHTEN**

CONCEALED WIRING ADAPTOR KIT FOR HEIRLOOM METIVO ESP TOWEL WARMERS

SPECIFICATIONS

This adaptor kit is for use **only** with the Heirloom METIVO ESP range of **ladder** towel warmers. (Diagrams below feature the METIVO ESP Style Towel Warmer)

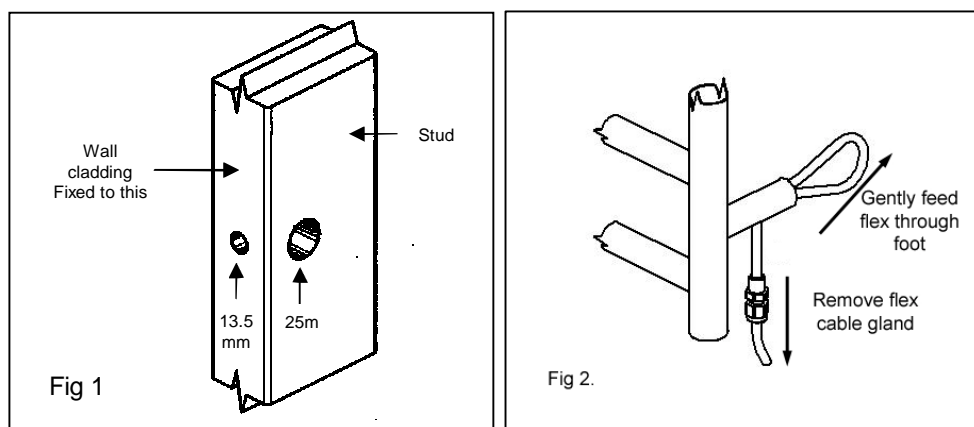
PRE INSTALLATION:

The heated towel warmer must be mounted with the flex through one of the bottom mounting feet. To obtain an IP45 rated installation both the towel warmer and the adaptor kit must be IP45 rated.

Please refer to the installation notes with the towel warmer and follow all guidelines and cautions for installation and use except as varied by the following instructions. It is recommended that the concealed wiring adaptor be installed when the towel warmer is first installed and before the wall cladding is in position.

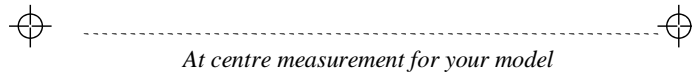
INSTALLATION

1. Connection to electrical supply should be carried out by a qualified electrician in accordance with local electrical requirements and regulations and to ensure the electrical supply, plug & switch location, and product location will comply with your local regulations.
2. Installation of the adaptor first requires mounting the bottom feet of the towel warmer followed by the top feet. Do not turn on the power to the towel warmer until installation is complete.
3. The towel warmer has a flex length of 900mm. Ensure that the flush box that the towel warmer will be wired to is within this distance of the mounting position of the foot of the towel warmer that has the flex. Allow for loss of flex length due to connections.
4. Drill a 13.5mm hole into the face of the stud where the towel warmer foot with the flex is to be positioned. Drill the hole approximately 25mm deep.
5. Identify the side of the stud facing the flush box that the towel warmer will be wired to. On that side of the stud, drill a 25mm deep hole at right angles to this first hole so that the hole will break into the base of the first 13mm hole. Refer to Fig1.

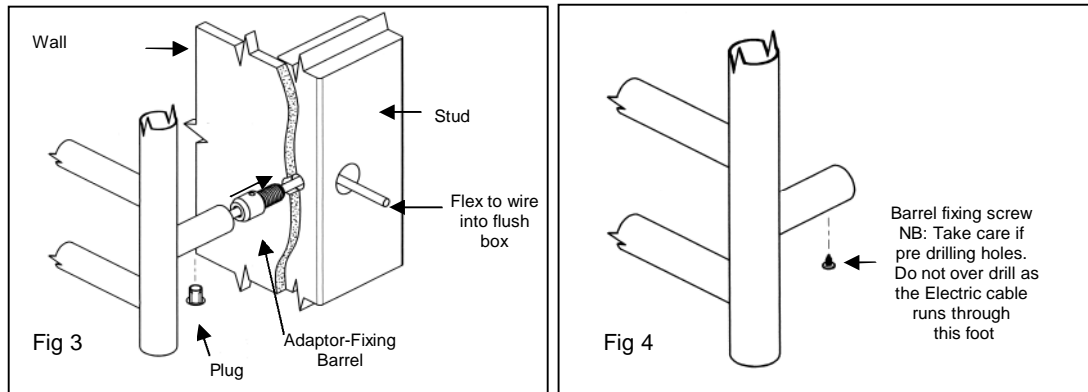


6. Place a pull through line from the flush box to the 13mm hole that can be picked up later once the wall cladding is in place
7. Once the wall cladding is positioned, remove some of the cladding to expose the 13.5mm hole. Locate the pull through and thread the adaptor-fixing barrel onto the pull through.
8. Screw the adaptor-fixing barrel into the stud (Use epoxy resin if the hole diameter is too big). Use the cross hole and a small screwdriver. On masonry walls drill a 14mm hole and epoxy resin the adaptor-fixing barrel into position. The shoulder of the barrel should leave a gap equal to the wall cladding thickness so that when the wall cladding is fixed the shoulder of the barrel is flush with the wall cladding. (refer Fig 3)

9. Mark a point horizontally from the centre of the adaptor at the measurement for your model (as listed on the METIVO ESP Towel Ladder installation instructions) for the other bottom fixing barrel. It is important that the line between these two points is level.



10. Screw the other fixing barrel (provided with the towel warmer) into place with the screw provided with the towel warmer.
11. Unscrew the flex cable gland and remove cable gland from the flex. Feed the flex back down the cable gland hole in the foot of the towel warmer and out the end of the foot. **Do not exert excessive force and take care not to damage the cable insulation.** The flex hole in the foot can now be filled with the grey plug provided in the adaptor kit (refer to Fig 2 &3)



12. Attach the pull through to the flex and pull the flex through the stud holes to the flush box.
13. Position the towel warmer on the bottom two fixing barrels and mark the two top feet. (Use easy to remove pencil)
14. Mark the centre distance for the top fixing barrels (per 9 above) & screw the fixing barrels to the wall.
15. Remount the towel warmer on the four fixing barrels. Secure the foot containing the flex with the screw provided in the adaptor kit. Then secure the three remaining feet with the screws provided with the towel warmer.(refer Fig 4)

CAUTION: The fixing barrels can be pre drilled to 2.5mm for easy screw installation, but extreme care must be taken on the concealed flex adaptor to not drill into the flex. ONLY use the screws provided (No 6 x 1/4" pan pozi) Using longer screws will damage the flex and create an electrical hazard.

THIS APPLIANCE MUST BE WIRED BY A REGISTERED ELECTRICIAN.

If the supply cord is damaged please return to your supplier for repair. Warranty does not cover installation damage.

ELECTRICAL INSTALLATION, NEW ZEALAND

New Zealand electrical wiring requirements stipulate this appliance must be wired by a Registered Electrician in accordance with current electrical wiring regulations. This appliance must be fitted with an air gap phase isolation switch.

Heirloom International, P O Box 204 235 Highbrook, Manukau 2161, Auckland, New Zealand.
Email: info@heirloom.co.nz Website: www.heirloom.co.nz