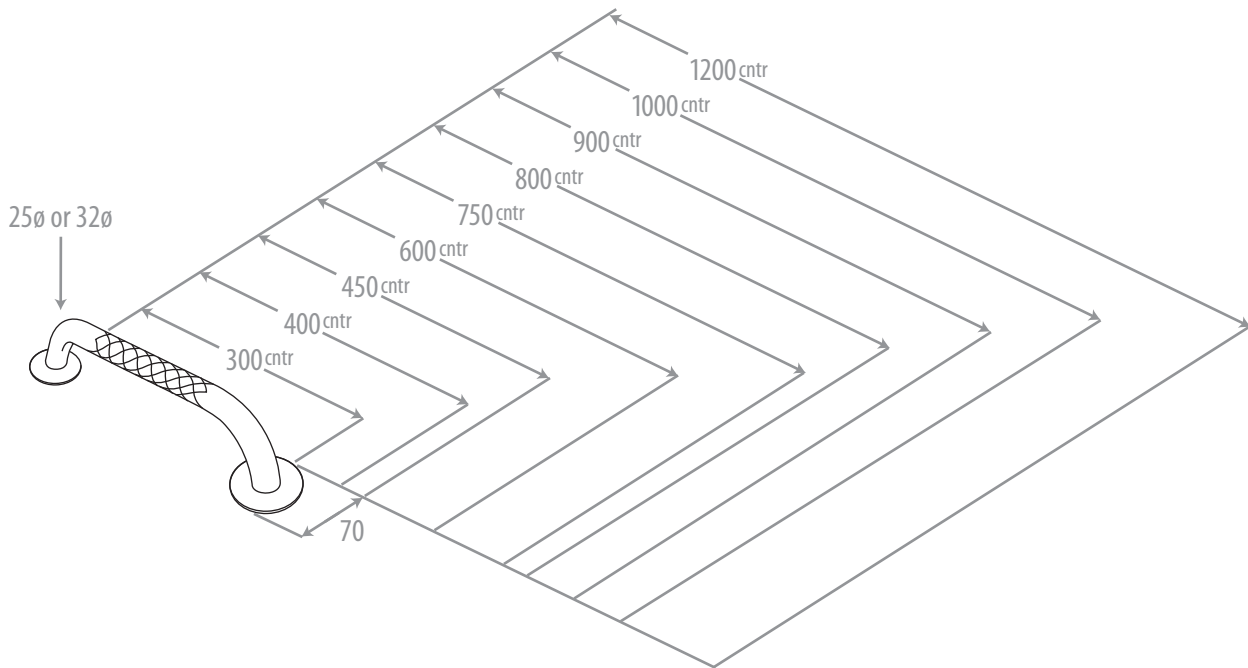
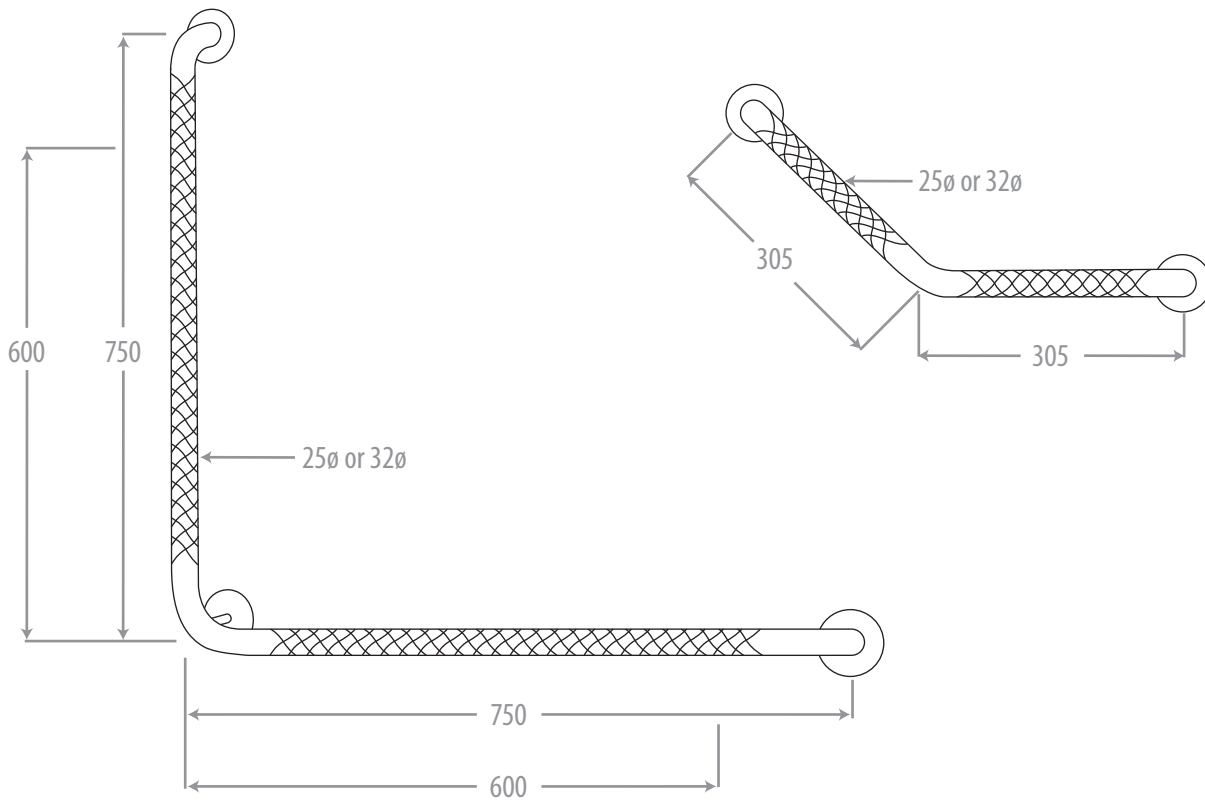


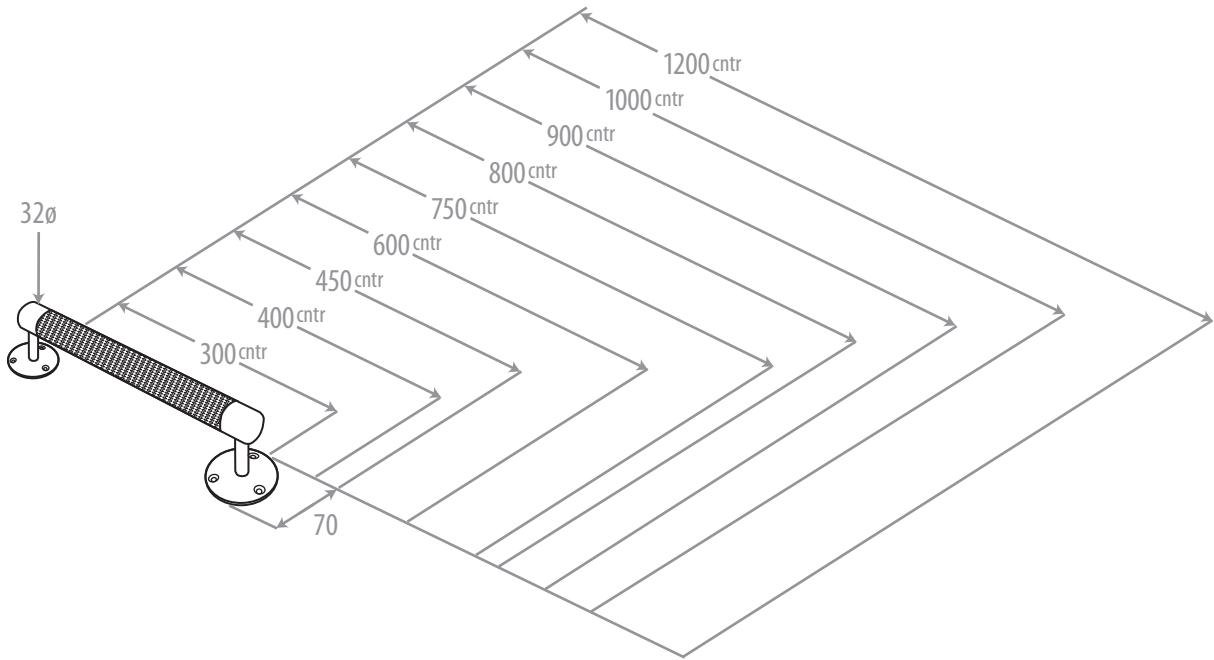
Standard Straight Rail Fixing Configuration



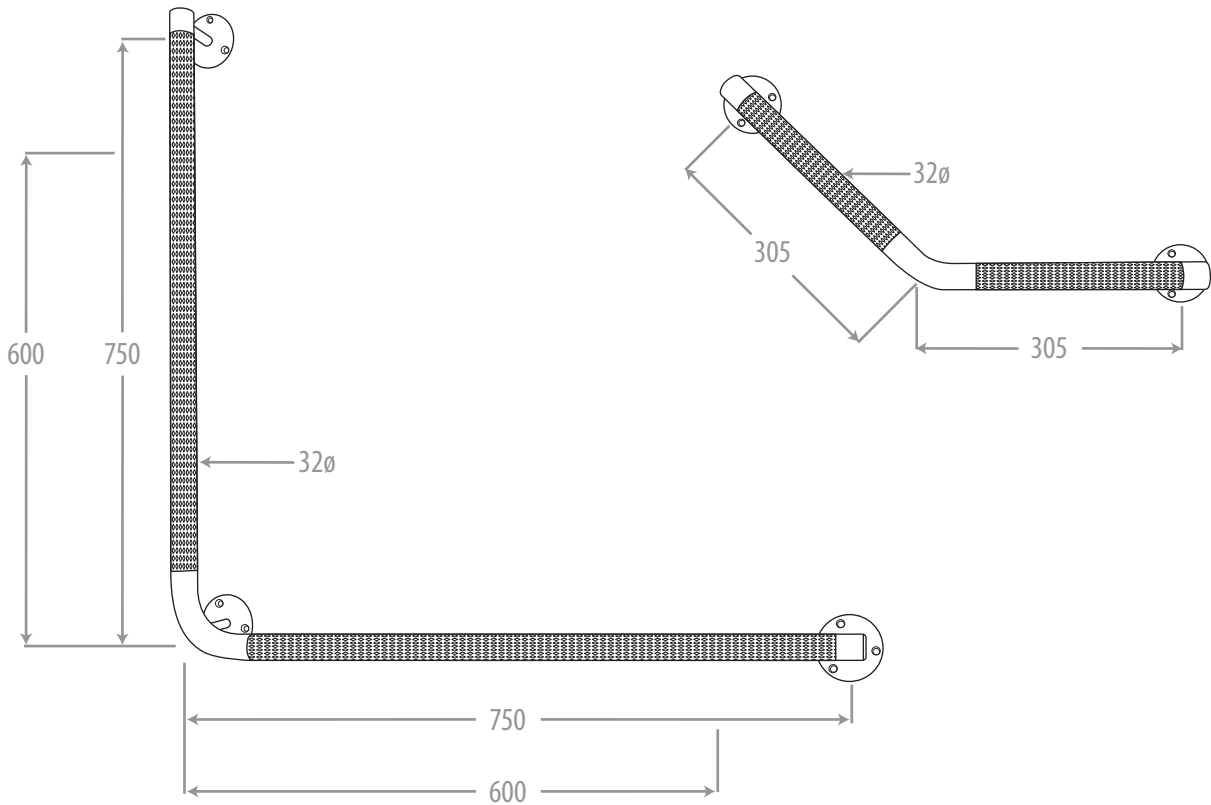
Standard 90° and 45° Rail Fixing Configuration



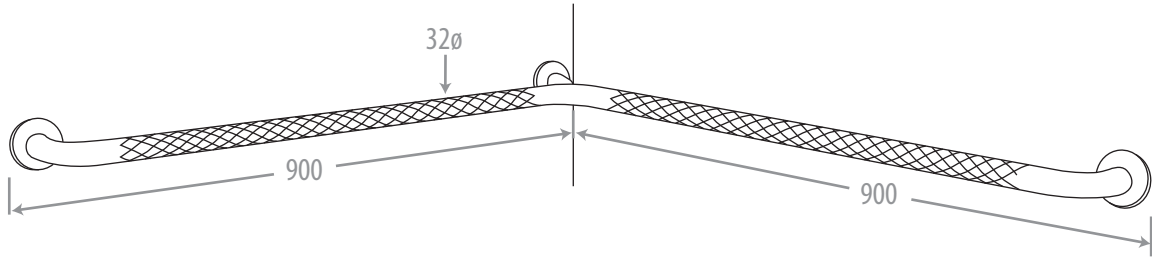
Heavy Duty Straight Rail Fixing Configuration



Heavy Duty 90° and 45° Rail Fixing Configuration

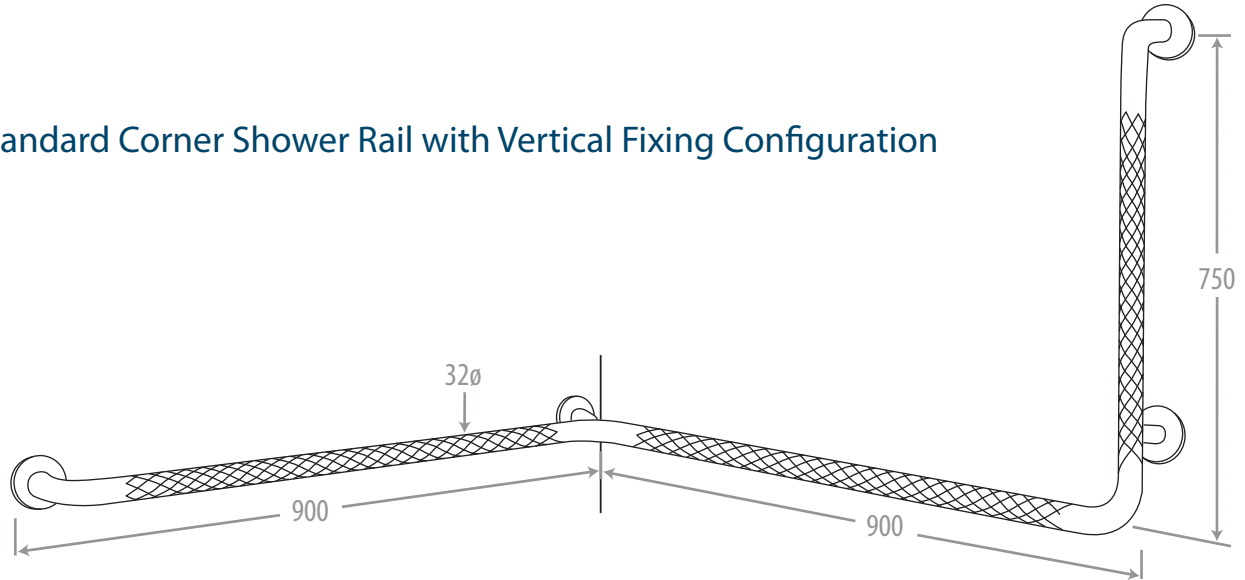


Corner Rail Fixing Configuration



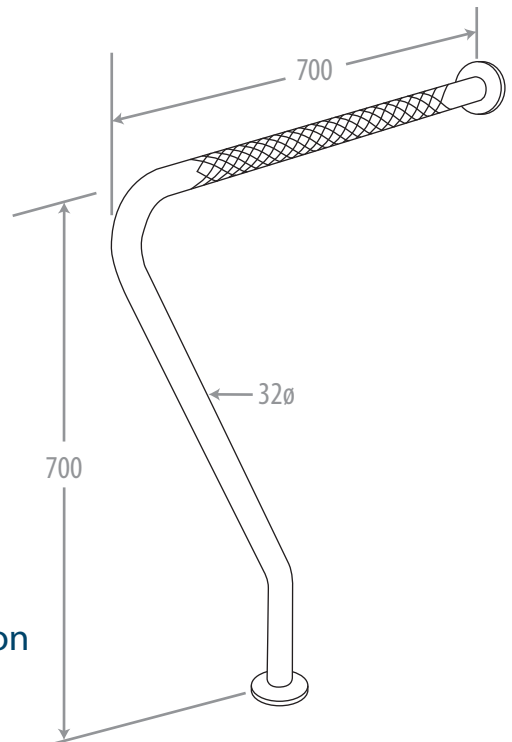
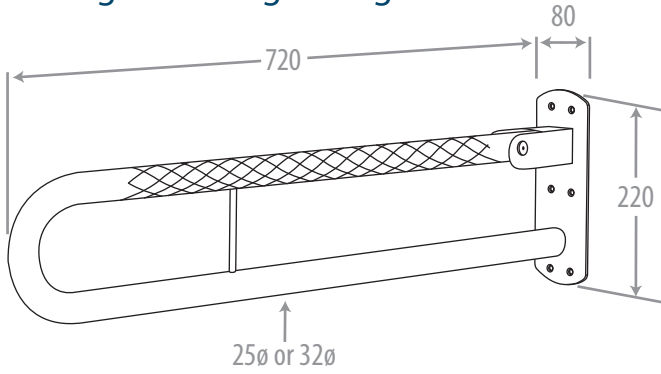
Other sizes available, please enquire

Standard Corner Shower Rail with Vertical Fixing Configuration



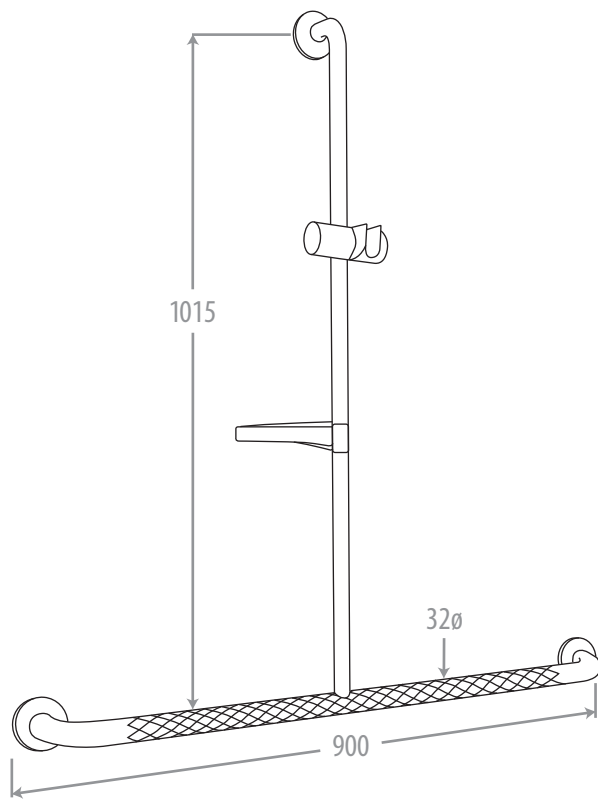
Other sizes available, please enquire

Folding Rail Fixing Configuration



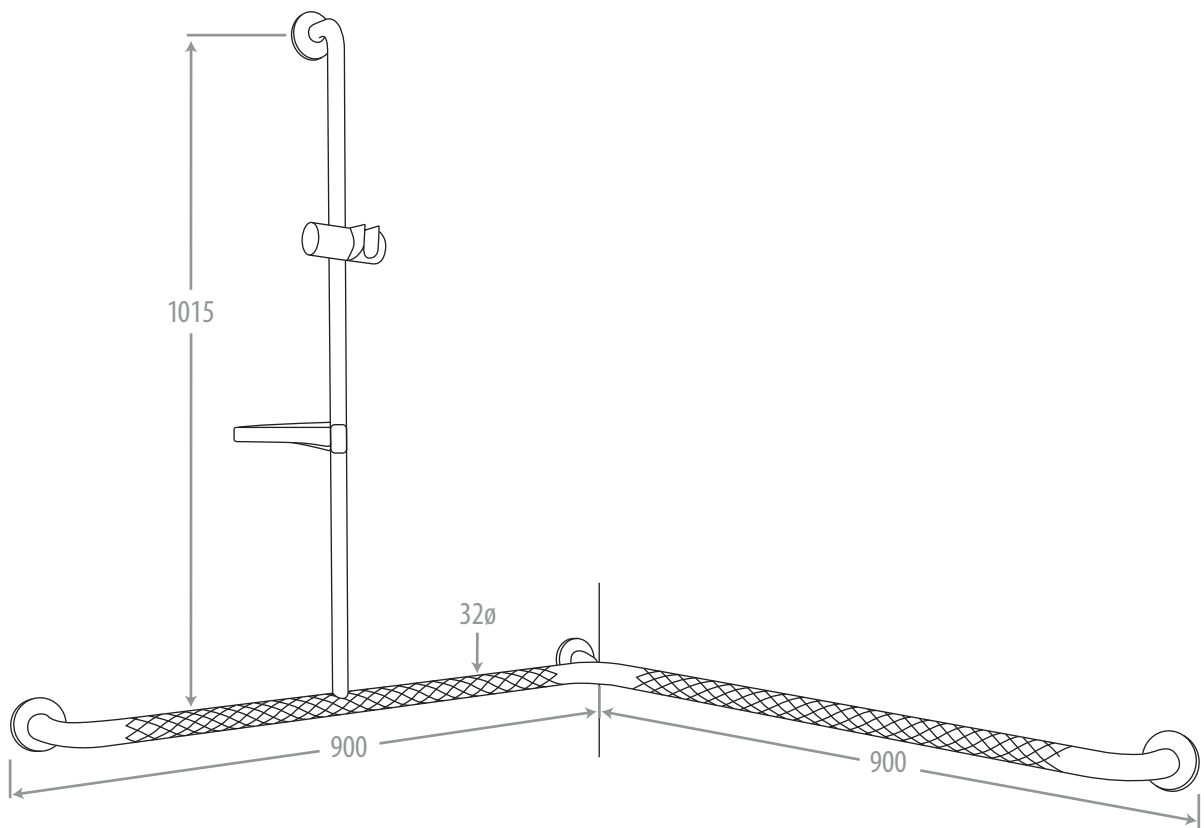
Corner Rail Fixing Configuration

Slide Shower Rail Fixing Configuration



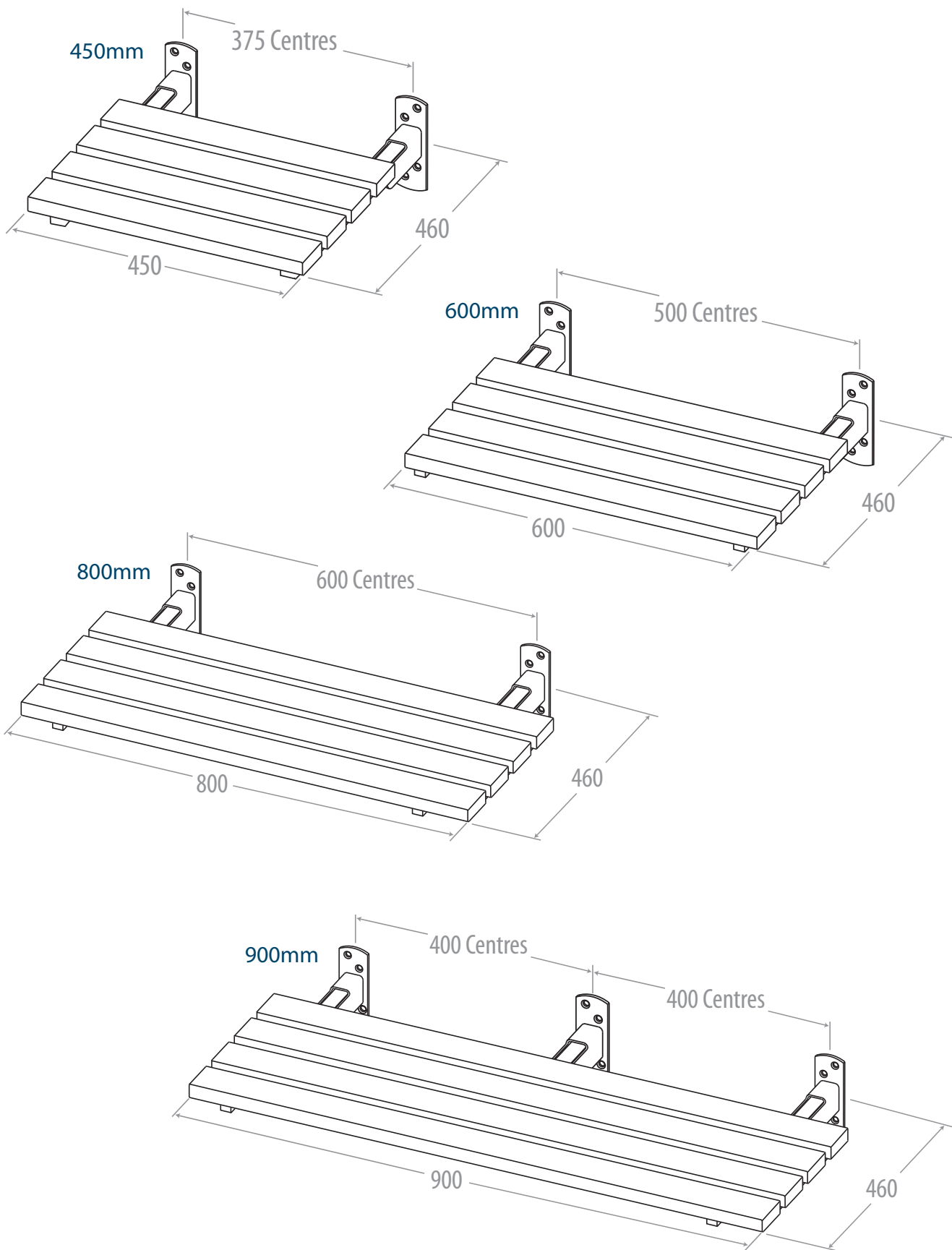
Other sizes available, please enquire

Slide Corner Shower Rail Fixing Configuration



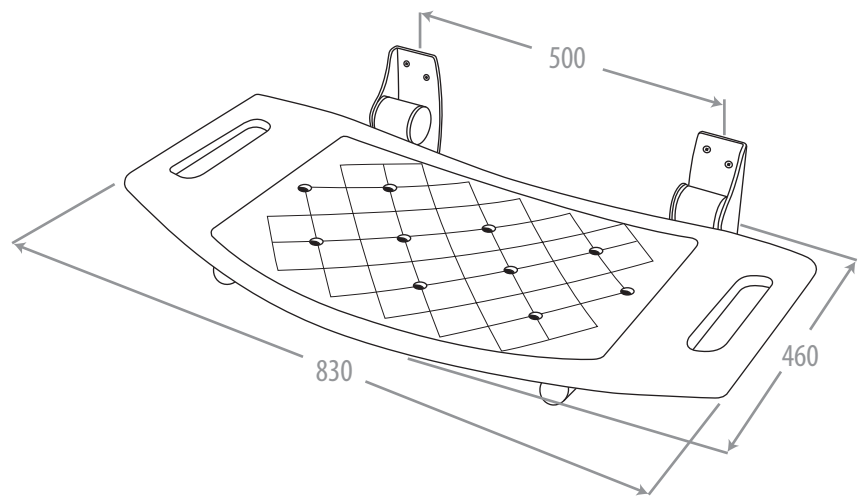
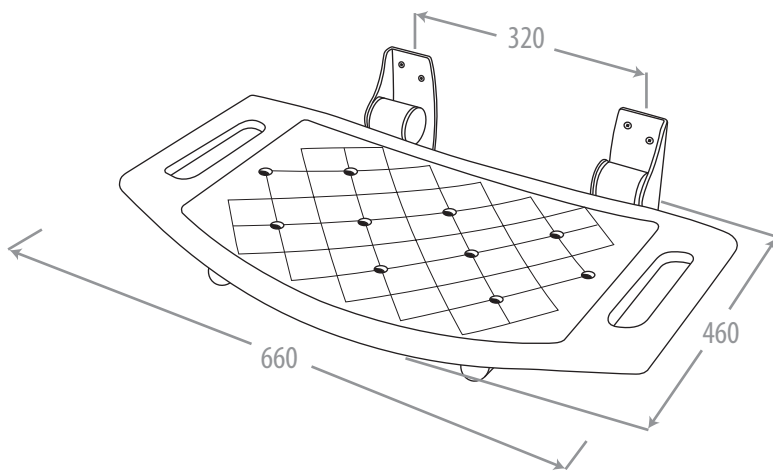
Other sizes available, please enquire

Sapphire Slatted Shower Seat Specifications*

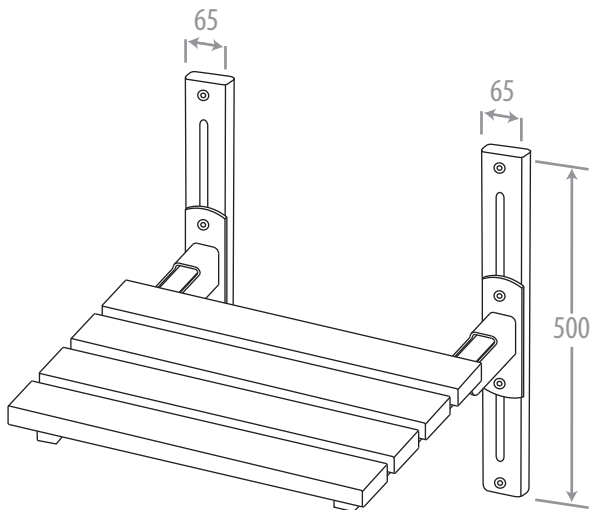


* Configurations standard for Rimu, Slatted and Padded Sapphire Shower seats.

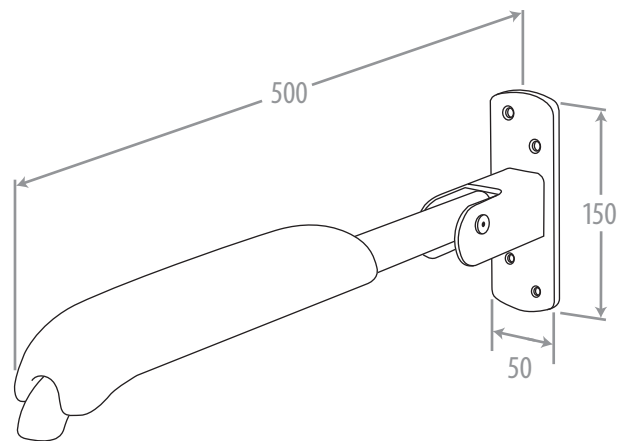
Walltect Shower Seat Fixing Configuration



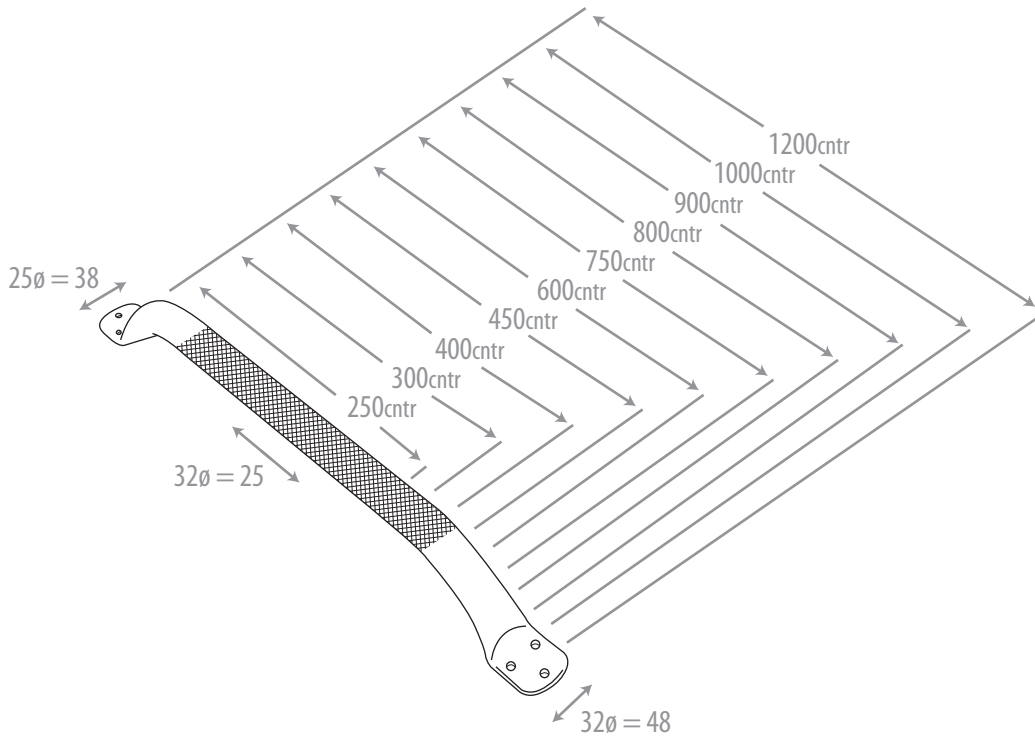
Adjustable Height Wall Mounts



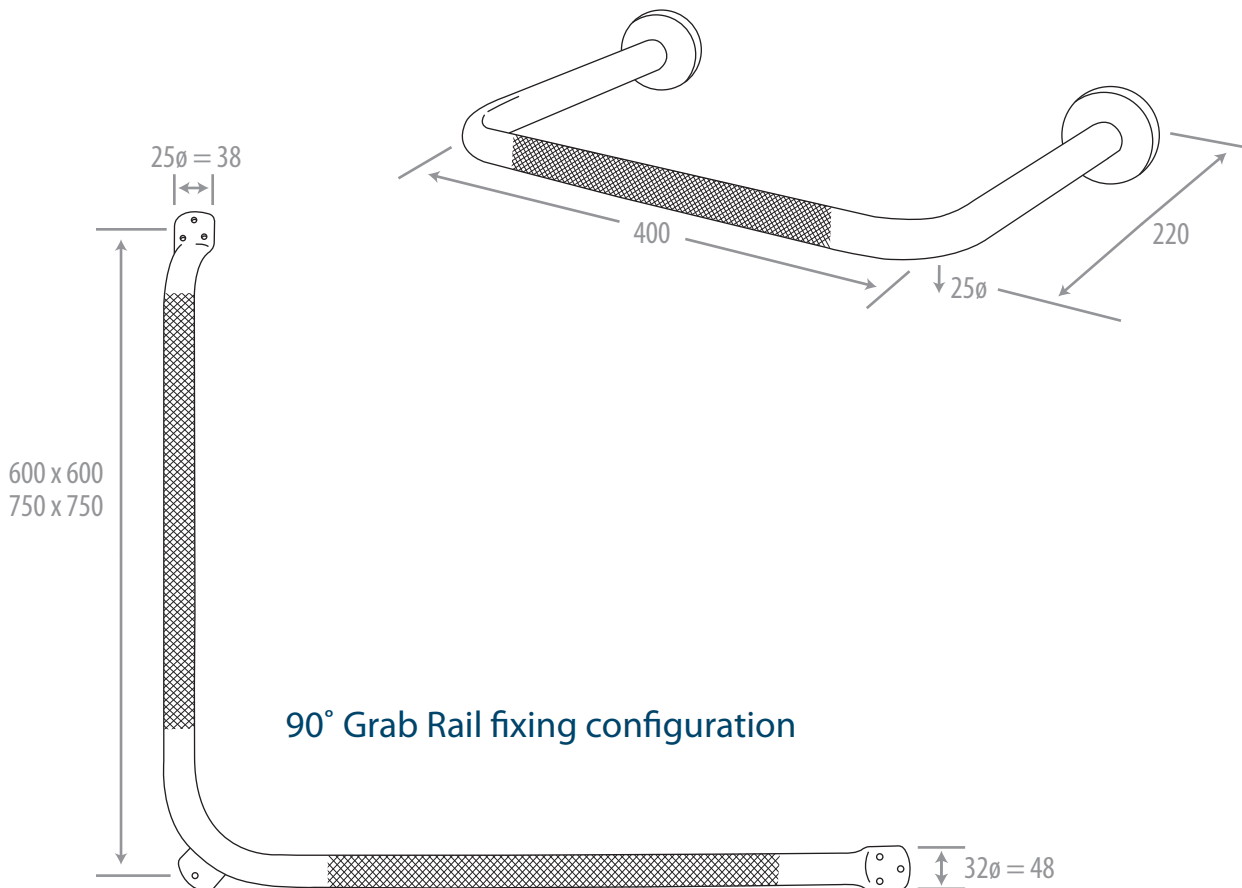
Folding Arm Rest Fixing Configuration



Uni-Rail fixing configuration

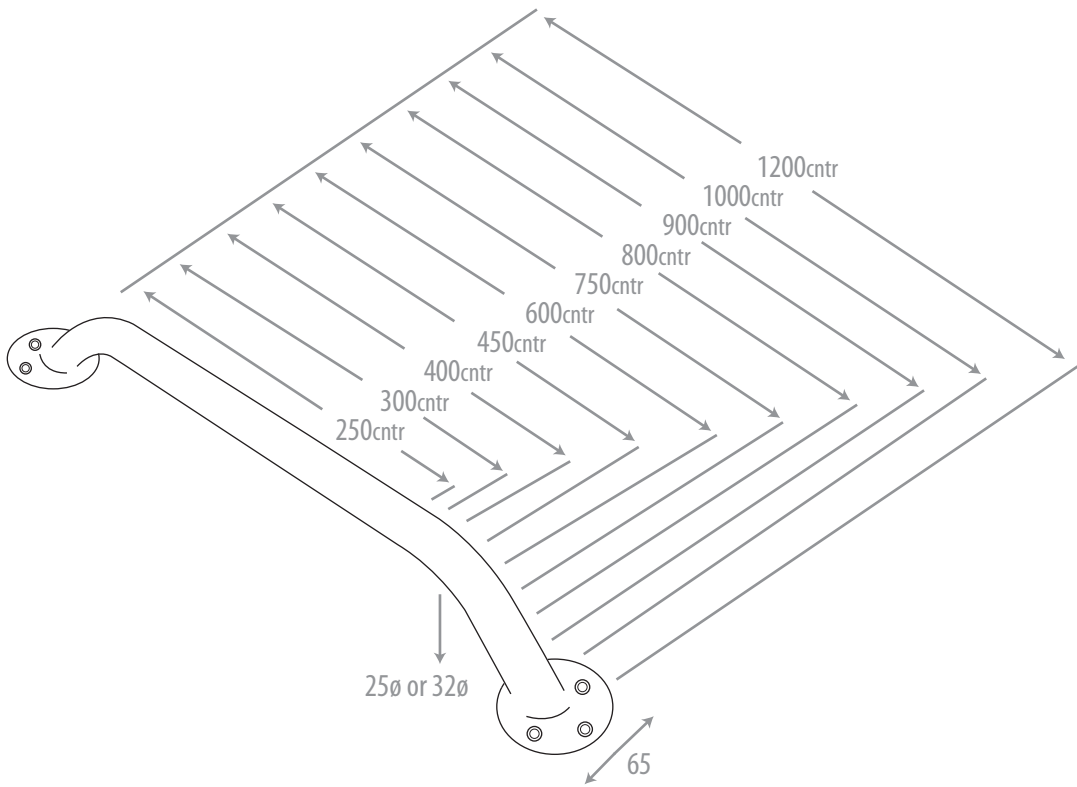


Tap Rail fixing configuration

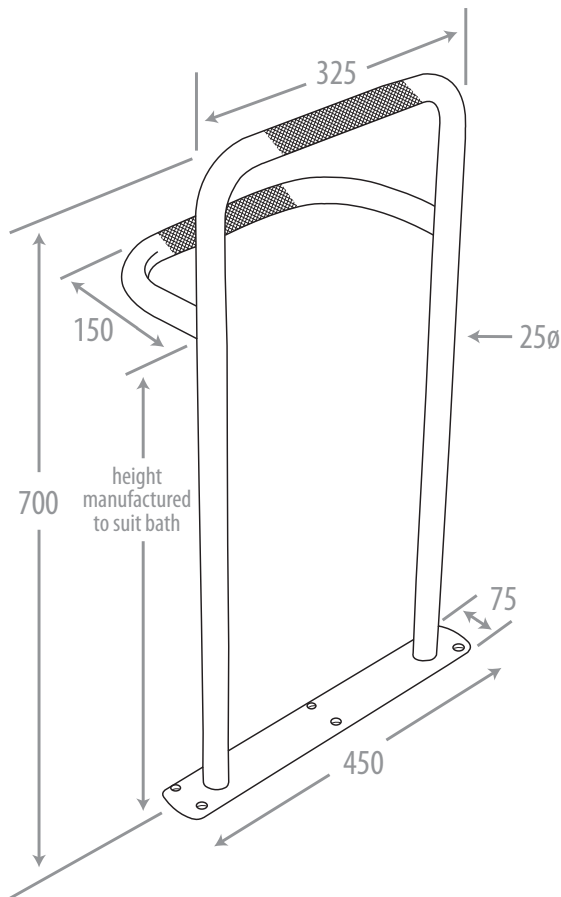


90° Grab Rail fixing configuration

Safety Rail fixing configuration



Bath Rail fixing configuration



Hanging Shower Rail fixing configuration

